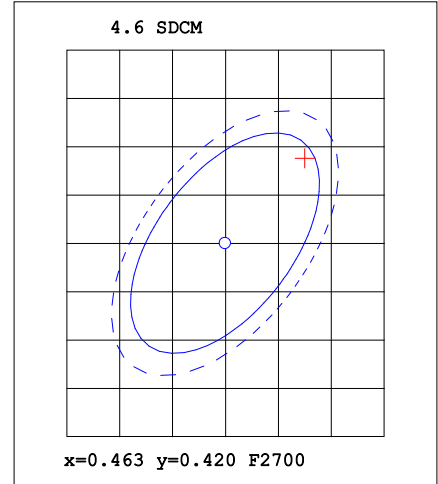
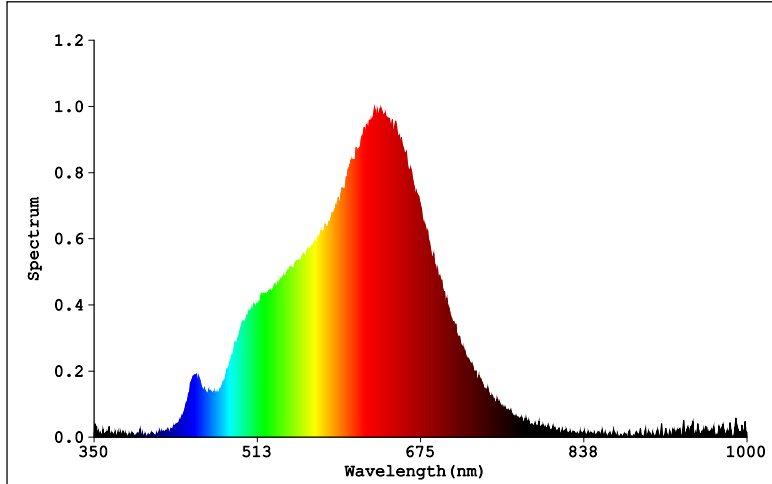


**Spectrum Test Report**



**Color Parameters:**

Chromaticity Coordinate:  $x=0.4705$   $y=0.4288$  /  $u'=0.2612$   $v'=0.5357$   $duv=5.672e-003$   
 Tc=2693K Dominant WL:Ld=582.6nm Purity=70.0%  
 Ratio:R=27.0% G=70.4% B=2.6% Peak WL:Lp=631.6nm HWL:145.2nm  
 Render Index:Ra=97.3  
 R1 =99.70 R2 =97.90 R3 =96.20 R4 =95.62 R5 =99.01 R6 =98.37 R7 =96.48  
 R8 =94.99 R9 =87.13 R10=95.99 R11=93.32 R12=93.91 R13=98.69 R14=97.35 R15=95.77  
 TM30 Parameters: Rf = 90.2, Rg:94.1

**Photo Parameters:**

Flux = 46.21 lm Eff. : 97.30 lm/W Fe = 179.6 mW  
 Photosynthetic(400-700nm):PPF:0.79696 $\mu$ mol/s  
 PAR WATT:159.68mW  
 Eff(PPF):1.68 $\mu$ mol/s/W

**Electrical parameters:**

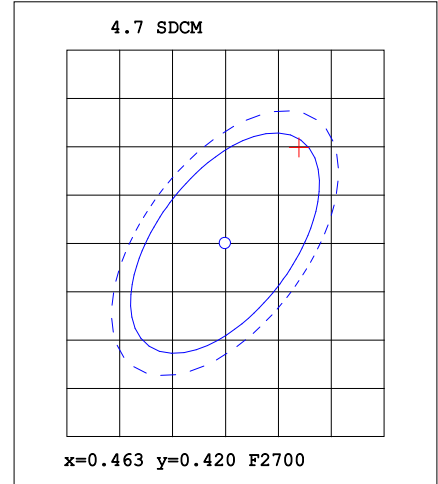
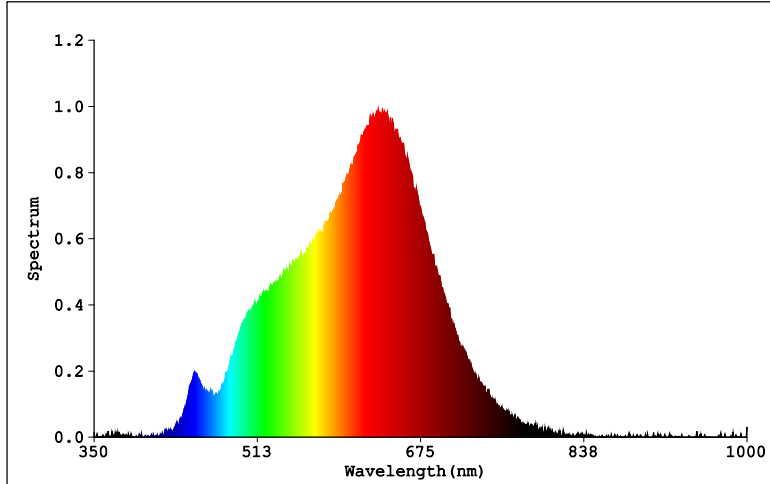
VF = 3.168 V IF = 149.9 mA P = 475.0 mW Ch1  
 LEVEL:\*\*[OUT] WHITE:ANSI\_2700K

Status: T=80.00ms Ip=1991 (3%) [ HAAS1200\_V1\_USB ] V2.00.268

Model:LIGHT  
 Tester:DAMIN  
 Temperature:25.3Deg  
 Manufactory:EVERFINE  
 Assessor:damin  
 System:WY + HAAS1200\_V1\_USB

Number:14  
 Date:2022-02-23 13-24  
 Humidity:65.0%  
 Remarks:---

**Spectrum Test Report**



**Color Parameters:**

Chromaticity Coordinate:  $x=0.4700$   $y=0.4299$  /  $u'=0.2604$   $v'=0.5360$   $duv=6.106e-003$   
 Tc=2709K Dominant WL:Ld=582.4nm Purity=70.2%  
 Ratio:R=26.7% G=70.7% B=2.5% Peak WL:Lp=637.2nm HWL:147.3nm  
 Render Index:Ra=97.2  
 R1 =99.44 R2 =97.59 R3 =95.96 R4 =95.79 R5 =98.77 R6 =98.68 R7 =96.43  
 R8 =94.82 R9 =86.29 R10=95.23 R11=93.78 R12=92.38 R13=98.47 R14=97.24 R15=95.33  
 TM30 Parameters: Rf = 90.6, Rg:94.1

**Photo Parameters:**

Flux = 46.85 lm Eff. : 98.52 lm/W Fe = 177.7 mW  
 Photosynthetic(400-700nm):PPF:0.80284 $\mu$ mol/s  
 PAR WATT:160.91mW  
 Eff(PPF):1.69 $\mu$ mol/s/W

**Electrical parameters:**

VF = 3.172 V IF = 149.9 mA P = 475.6 mW Ch1  
 LEVEL:\*\*[OUT] WHITE:OUT

Status: T=80.00ms Ip=2005 (3%) [ HAAS1200\_V1\_USB ] V2.00.268

Model:LIGHT  
 Tester:DAMIN  
 Temperature:25.3Deg  
 Manufactory:EVERFINE  
 Assessor:damin  
 System:WY + HAAS1200\_V1\_USB

Number:15  
 Date:2022-02-23 13-24  
 Humidity:65.0%  
 Remarks:---